

LC adapters

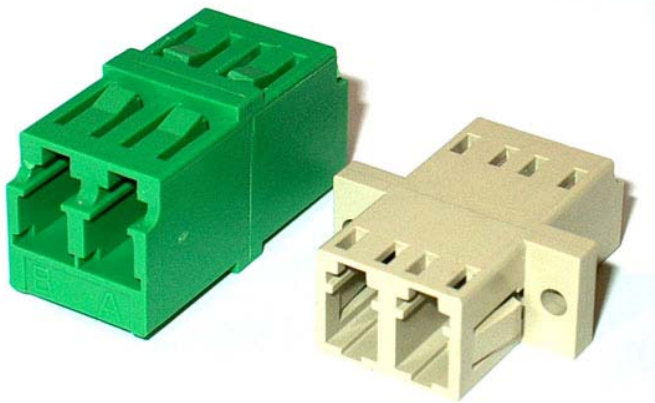
Description:

The innovative LC design offers a form factor one-half the size of current industry standards, and simple features create a new definition of user-friendliness.

The LC meet EIA/TIA 568A, FOCIS 10 and IEC 11801 specifications for optical performance and intermateability. The LC Duplex fits into the RJ-45 standard cutout.

Two different versions are available:

- LC mounting hole
- SC footprint dimension



Features:

- Duplex fits RJ-45 footprint or SC footprint dimensions
- Increases panel density
- Symmetrical design allows four different panel orientations
- Adapter with shutter available

Application:

- Telecom
- LAN, WAN
- CATV
- Sensor systems
- Measuring Technique
- Utilities
- Railways

Ordering code:

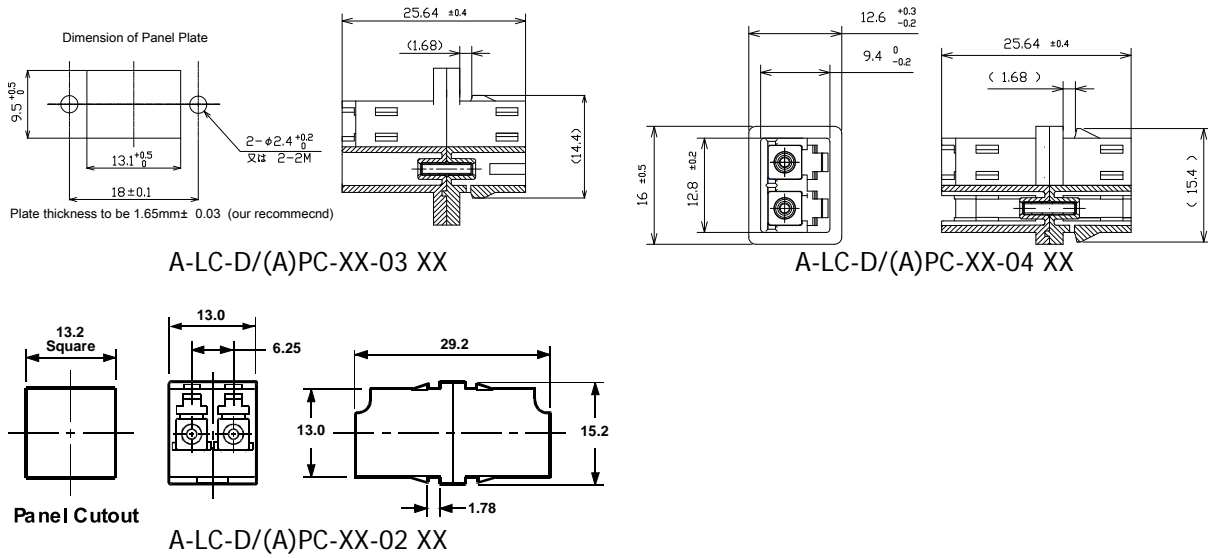
A - LC (-D) / (A)PC - XX - XX XX

type	sleeve	body
LC simplex	01 zirconia	01(S ¹) SC footprint with flange, metal clip
LC -D duplex	02 phosphor bronze	05(S ¹) SC footprint without flange, metal clip
LC -Q quadruple		02 LC mounting hole
		03 SC footprint with flange, plastic clip
		04 SC footprint without flange, plastic clip
		06S Sloping metal type with shutter
		BL blue (SM)
		GR green (SM-APC)
		BG beige (MM)

Note: 1) with shutter

LC[®] is trademark of Lucent Technologies, Inc.

Dimensions:



Samples of Adapters

