

# SC adapters

## Description:

The SC adapters are designed and manufactured according to JIS, IEC, EIA/TIA and ANSI specifications for intermateability and optical performance. The SC adapters are offered for MM or SM applications, designed for connectors with PC and APC polishing method. The ordering code allows exact specification of your demands concerning sleeve type (phosphor bronze or zirconia) and adapter variant, duplex version is also available. A wide range of hybrid adapters is provided to enable interconnection between different connector types.



## Features:

- Simplex and duplex panel cutouts
- Panel clip for easy installation
- Available in several standard colors
- Available without flanges
- Shutter adapter available
- Hybrid types provided

## Application:

- Telecom
- LAN, WAN
- CATV
- Sensor Systems
- Measuring Technique
- Utilities, Railways

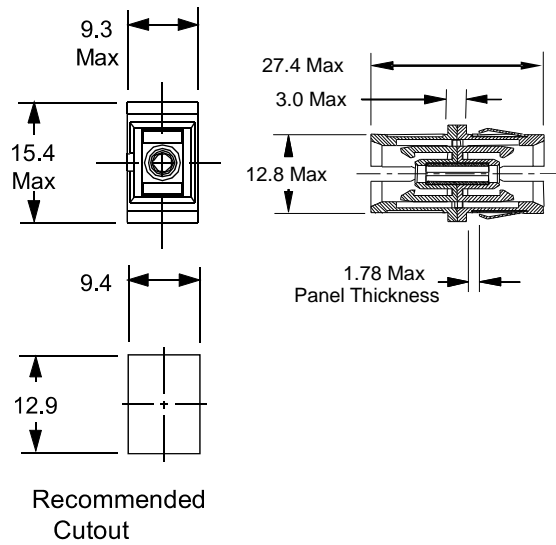
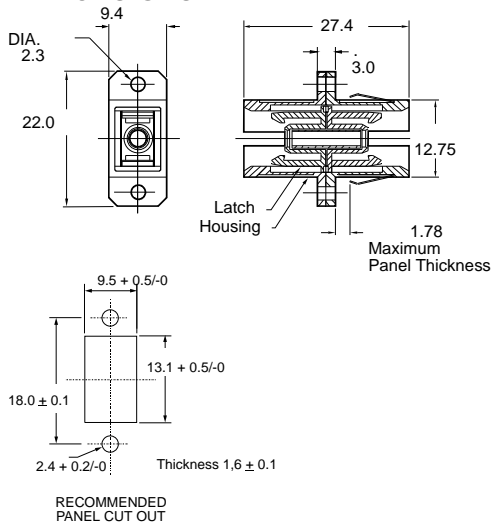
## Ordering code:

**A - SC (-D) / (A)PC - XX - XX XX - XX**

<b>type</b> SC SC -D LC ST LSH FC	<b>sleeve</b> 01 zirconia 02 phosphor bronze	<b>body</b> 01(S <sup>1</sup> ) plastic, metal clip 03 metal  BL blue (PC) GR green (APC) MT metal	01 flange 02 no flange 03 square flange
---	--	--	---

Note: 1) with shutter

### Dimensions:



### Samples of Adapters



A-SC/APC-01-01 GR-01



A-SC/APC-01-01 GR-02



A-SC/PC-01-01 BL-01



A-SC/PC-02-01 BL-01



A-SC/PC-01-01 BL-02



A-SC/PC-01-01S BL-02



A-SC-D/PC-02-01 BL-01



A-SC-D/APC-01-01 GR-01



A-SC-D/APC-01-01S GR-02



A-SC-ST/PC-02-01 BL-01



A-SC-FC/PC-01-01 BL-01



A-SC-FC/APC-01-01 GR-01



A-SC-FC/PC-01-01/03 BL-01



A-SC-FC/APC-01-03 MT-01



A-SC-FC-D/PC-02-03 MT-01



A-SC-FC/APC-01-03 MT-03