

CAPM cassettes

Description:

The OPTOKON CAPM cassette offers a convenient and much more reliable alternative to unprotected pigtail splicing or field termination. The CAPM cassettes accept passive fiber optic components such as attenuators, couplers/splitters, WDM and CWDM multiplexers, filters, circulators and many other networking devices. As the fiber optic components have been installed into the CAPM cassettes it is possible to include them into fiber optic networks by using the standard system of Optical Distribution Frames without any need for special distribution frames.

Types:

- CAPM Not equipped module
- CAPM/P Pigtail module
- CAPM/F Fan-out module
- CAPM/S Splice module
- SFT-CAPM Coupler/Splitter module
- SFW-CAPM WDM/CWDM module

Parts assembly:

- Main body
- Top cover
- Front adapter panel
- Rear panel
- Adapters, cable grommet, pigtails, fan-out, ...

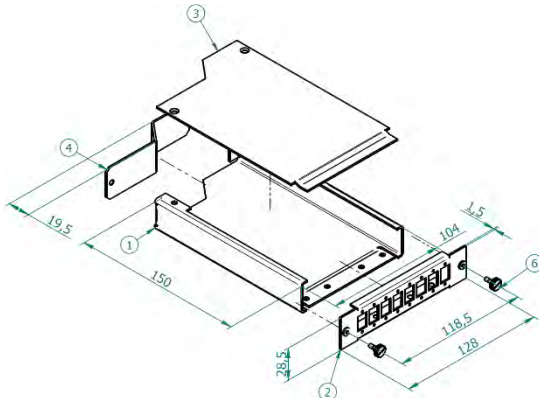
Applications:

- Preterminated cables
- Pigtail splicing
- Ribbon pigtail
- Splitter/coupler
- WDM, CWDM multiplexers

Features:



- Factory terminated and 100% tested
- Rugged and secure snap-in modular housing
- Accepts single or ribbon fibers cable
- Cable designed for easy splice preparation
- Wide range of passive fiber optic components
- Reduces installation time

Dimensions:



Parts:

- 1) Main body
- 2) Front adapter panel
- 3) Top cover
- 4) Rear entry panel
- 6) Screws CNPM

19" Installation possibilities:	
<p>OFDU-CAP – 3U frame for 12x CAPM</p> 	<p>FP-1S / FP-1E – 1U front panel for 2x / 3x CAPM</p> 

Ordering Code:

1. Not equipped module (Empty CAPM cassette-only X1B splice holders)

CAPM		-	X	-	X	-	XX(-DIN) ³																																												
<table border="1"> <thead> <tr> <th colspan="2">Front panel adapter type</th> </tr> </thead> <tbody> <tr><td>SC-06</td><td>6 x SC adapter</td></tr> <tr><td>SC-08</td><td>8 x SC adapter</td></tr> <tr><td>E2-06</td><td>6 x E2000 adapter</td></tr> <tr><td>E2-08</td><td>8 x E2000 adapter</td></tr> <tr><td>FC-06</td><td>6 x FC adapter</td></tr> <tr><td>FC-08</td><td>8 x FC adapter</td></tr> <tr><td>ST-06</td><td>6 x ST adapter</td></tr> <tr><td>ST-08</td><td>8 x ST adapter</td></tr> <tr><td>DLC-06</td><td>6 x LC duplex</td></tr> <tr><td>DLC-08</td><td>8 x LC duplex</td></tr> <tr><td>DSC/QLC-03²</td><td>3 x DSC or QLC</td></tr> <tr><td>DSC/QLC-06²</td><td>6 x DSC or QLC</td></tr> <tr><td colspan="2">Other type on request</td></tr> </tbody> </table>				Front panel adapter type		SC-06	6 x SC adapter	SC-08	8 x SC adapter	E2-06	6 x E2000 adapter	E2-08	8 x E2000 adapter	FC-06	6 x FC adapter	FC-08	8 x FC adapter	ST-06	6 x ST adapter	ST-08	8 x ST adapter	DLC-06	6 x LC duplex	DLC-08	8 x LC duplex	DSC/QLC-03 ²	3 x DSC or QLC	DSC/QLC-06 ²	6 x DSC or QLC	Other type on request		<table border="1"> <thead> <tr> <th colspan="2">Rear panel</th> </tr> <tr> <th>Cable entry type</th> <th>Adapter entry type</th> </tr> </thead> <tbody> <tr> <td>B Blank panel</td> <td>M MPO (MTP)</td> </tr> <tr> <td>C Cable entry panel¹</td> <td>SC SC adapter</td> </tr> <tr> <td>A Adapter entry panel</td> <td>E2 E2000 adapter</td> </tr> <tr> <td></td> <td>FC FC adapter</td> </tr> <tr> <td></td> <td>ST ST adapter</td> </tr> <tr> <td></td> <td>Other on request</td> </tr> </tbody> </table>				Rear panel		Cable entry type	Adapter entry type	B Blank panel	M MPO (MTP)	C Cable entry panel ¹	SC SC adapter	A Adapter entry panel	E2 E2000 adapter		FC FC adapter		ST ST adapter		Other on request
Front panel adapter type																																																			
SC-06	6 x SC adapter																																																		
SC-08	8 x SC adapter																																																		
E2-06	6 x E2000 adapter																																																		
E2-08	8 x E2000 adapter																																																		
FC-06	6 x FC adapter																																																		
FC-08	8 x FC adapter																																																		
ST-06	6 x ST adapter																																																		
ST-08	8 x ST adapter																																																		
DLC-06	6 x LC duplex																																																		
DLC-08	8 x LC duplex																																																		
DSC/QLC-03 ²	3 x DSC or QLC																																																		
DSC/QLC-06 ²	6 x DSC or QLC																																																		
Other type on request																																																			
Rear panel																																																			
Cable entry type	Adapter entry type																																																		
B Blank panel	M MPO (MTP)																																																		
C Cable entry panel ¹	SC SC adapter																																																		
A Adapter entry panel	E2 E2000 adapter																																																		
	FC FC adapter																																																		
	ST ST adapter																																																		
	Other on request																																																		

Note: 1) Including PG9 cable gland
(Cables Ø up to 9.0 mm)
2) Adapters without fixing by screws
3) Optional - equipped with DIN holder

CAPM components:



CAP-front panel E2/SC/DLC-06



CAP-front panel DE2-06



CAP-front panel DSC/QLC-06



CAP-front panel DSC/QLC-03



CAP-front panel FC/ST-06



CAP-front panel FC/ST-08



CAP-front panel E2/SC/DLC-08



B - Rear blank panel



C - Rear entry panel



C - Rear entry panel with cable



EN ISO 9001:2015
EN ISO 14001:2015
Certified Company
CQS 051672 (AQAP 2110) Certified



Accredited Calibration Laboratory No. 2315
In Czech Republic & Malaysia
Accredited Testing Laboratory No. 1755



OPTOKON NATO
Supplier Code: 1583G



National Security Authority
Certified: CONFIDENTAL

CMS_22-01_EN
09/03/2026

2. Pigtail module

Includes pre-terminated optical cable, appropriate adapters and PG9 cable grommet (cables Ø up to 9.0 mm)

CAPM/P	-	XX-XXX	-	XX	-	XXX(F) ⁴ X(X)	-	XX(-DIN) ⁶
		<i>XX - Fibers number</i> Up to 24			<i>XX² - Cable type</i> TB Tight buffered UT Uni tube RB Ribbon			<i>XX - Length (m)</i>
		<i>XXX - Type of fiber</i> OM1 MM 62.5/125 µm OM2 MM 50/125 µm OM3 MM 50/125 µm S2D SM G.652D S5X ¹ SM G.655C-D S7X ¹ SM G.657A-E			<i>Front panel adapter type⁵</i>			
					<i>XXX - Adapter type</i> ST(F) ST SC(F) SC FC FC E2(F) LSH (E2000) DSC ³ Duplex SC DLC(F) Duplex LC QLC ³ Quadruplex LC	<i>X - Application</i> M Multimode OM1,2 (Beige) S Singlemode A APC		
					<i>XX - Colours of MM</i> TQ OM3 (Turquoise) VT OM4 (Violet) LG OM5 (Lime Green)			

Note: 1) X – Refer to relevant fiber type, for example: S7A – G.657A
3) Adapter type without possibility fixing by screws
5) FC, ST, E2 – up to 8 fibers capacity

2) Other type – on request
4) F – Fixed adaptors by screws
6) Optional - equipped with DIN holder

3. Fan-out module

Internal interconnection between MPO/MTP ribbon connector and up to 12 single connectors SC, LC, ...

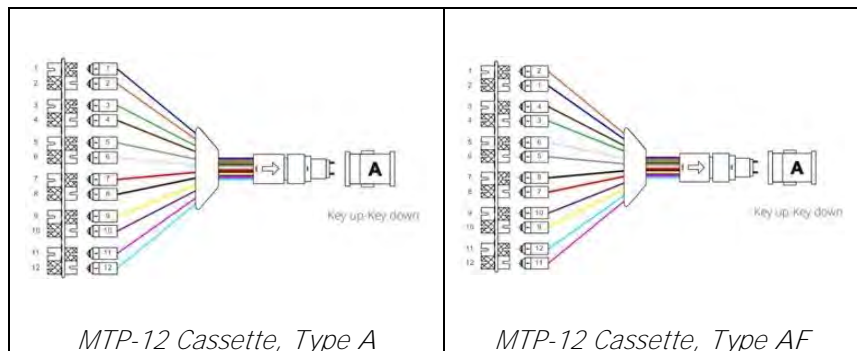
CAPM/F	-	XX-XXX	-	XXX(F) ³ X(X)	-	Mx-X(-DIN) ⁵
		<i>XX - Fibers number up to 24</i>			<i>M - Rear adapter MPO/MTP</i> <i>x - Type of connector</i> M - Male, F - Female <i>X - Type of pairs connection</i> A - Straight, AF - Cross	
		<i>XXX - Type of fiber</i> OM1 MM 62.5/125 µm OM2 MM 50/125 µm OM3 MM 50/125 µm S2D SM G.652D S5X ¹ SM G.655C-D S7X ¹ SM G.657A-E			<i>Front panel adapter type⁴</i>	
					<i>XXX - Adapter type</i> ST(F) ST SC(F) SC FC FC E2(F) LSH (E2000) MJ MT-RJ DSC ² Duplex SC DLC(F) Duplex LC QLC ² Quadruplex LC	<i>X - Application</i> M Multimode OM1,OM2 (Beige) S Singlemode A APC
					<i>XX - Colours of MM</i> TQ OM3 (Turquoise) VT OM4 (Violet) LG OM5 (Lime Green)	

Note: 1) X – Refer to relevant fiber type, for example: S7A – G.657A
3) F – Fixed adaptors by screws
5) Optional - equipped with DIN holder

2) Adapter type without possibility fixing by screws
4) FC, ST, E2 – up to 8 fibers capacity



CAPM/F-12xS2D-DSC A-M-MF-A



MTP-12 Cassette, Type A

MTP-12 Cassette, Type AF

4. Splice module

Includes pigtails, adapters, PG9 cable grommet - cables Ø up to 9.0 mm, splice protections and splice bridge

CAPM/S - XX XXX - XXX(F) ⁵ X(X) - (DIN) ⁶	
<i>XX - Fibers number</i> Up to 24 ¹	
<i>XXX - Type of fiber</i>	
OM1	MM 62.5/125 µm
OM2	MM 50/125 µm
OM3	MM 50/125 µm
S2D	SM G.652D
S5X ²	SM G.655C-D
S7X ²	SM G.657A-E
<i>Front panel adapter type⁴</i>	
<i>XXX - Adapter type</i>	
ST(F)	ST
SC(F)	SC
FC	FC
E2(F)	LSH (E2000)
MJ	MT-RJ
DSC ³	Duplex SC
DLC(F)	Duplex LC
QLC ³	Quadruplex LC
<i>X - Application</i>	
M	Multimode
S	Singlemode
A	APC
<i>XX - Colours of MM</i>	
TQ	OM3 (Turquoise)
VT	OM4 (Violet)
LG	OM5 (Lime Green)

- Note:
- 1) With using slimmer splice protections is possible to place two splices to one groove in the splice holder X1B
 - 2) X – Refer to relevant fiber type, for example: S7A – G.657A
 - 3) Adapter type without possibility fixing by screws
 - 4) FC, ST, E2 – up to 8 fibers capacity
 - 5) F – Fixed adaptors by screws
 - 6) Optional - equipped with DIN holder



1) Splice holder X1B

5. Coupler/Splitter module

Including appropriate coupler/splitter and adapters

For ordering code see Coupler/Splitter datasheet
(CPL_06-02_EN-SFT-S35-01x02, CPL_08-02_EN-SFT-S35-01xN)

SFT-S35-01X04-25-CAPM-USC



6. WDM module

Including appropriate WDM and adapters

For ordering code see WDM datasheet
(CPL_03-02_EN-SFW)

SFW-D35-CAPM-NE2S

